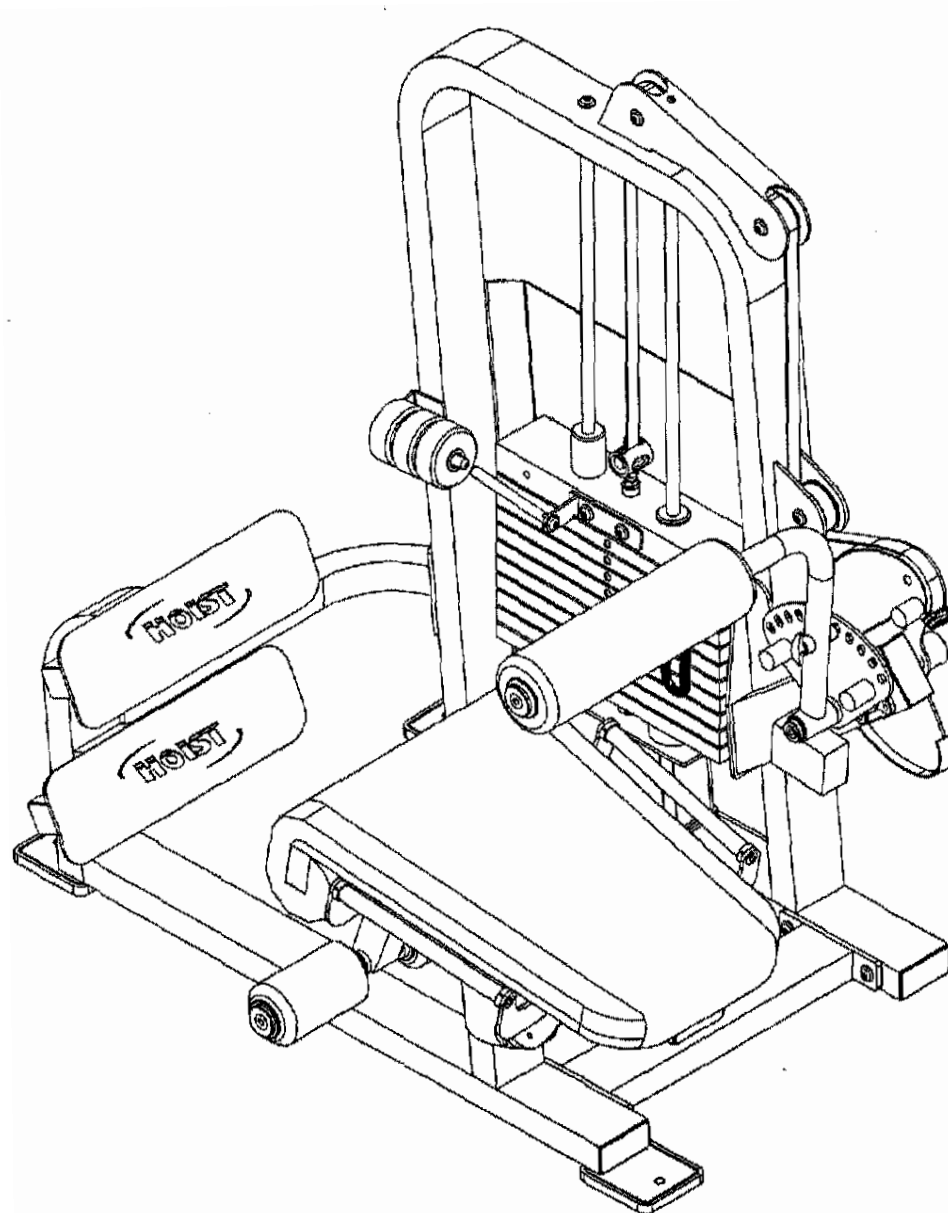




CD-2600
LOW BACK/ABB ASSIST

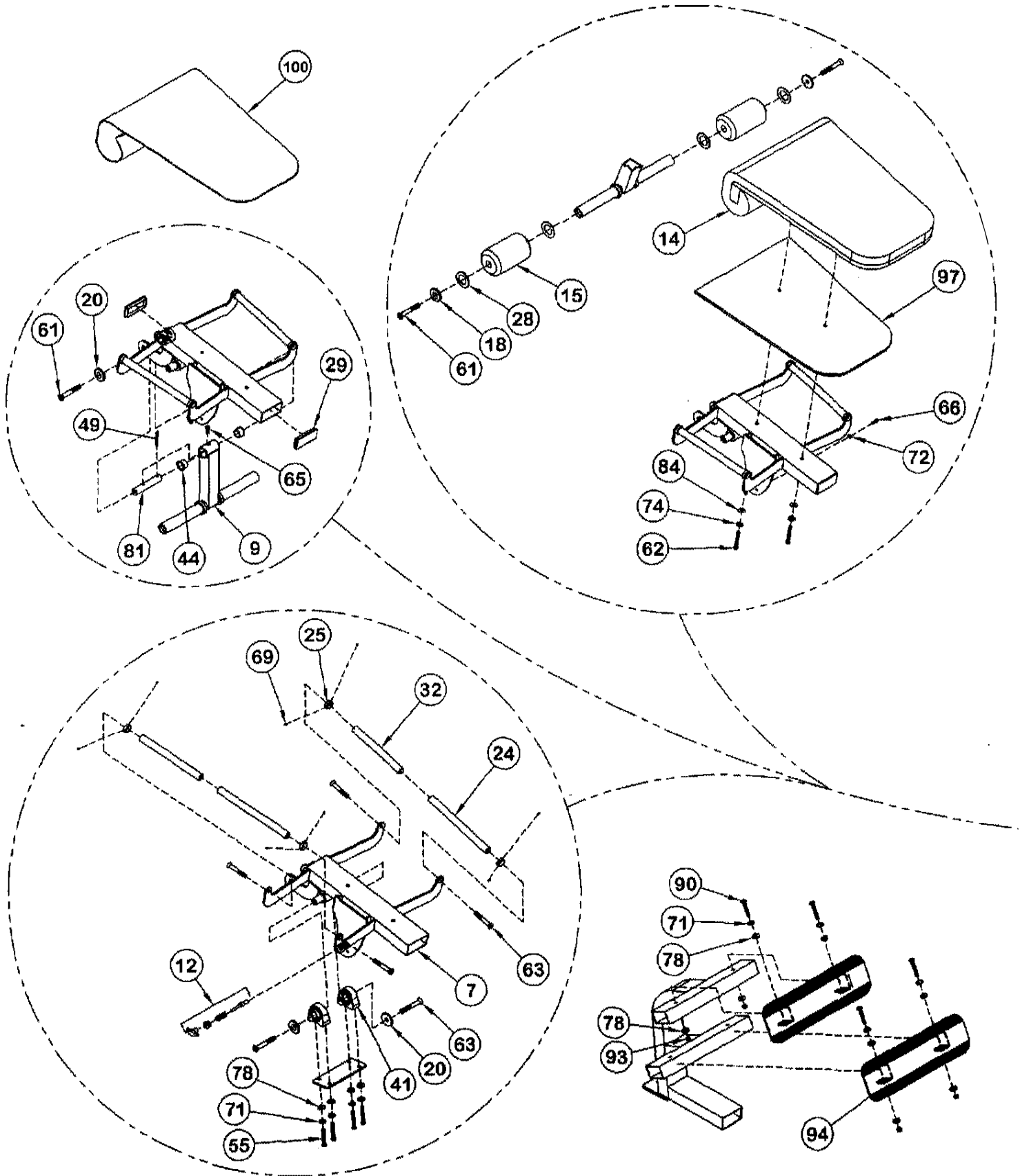


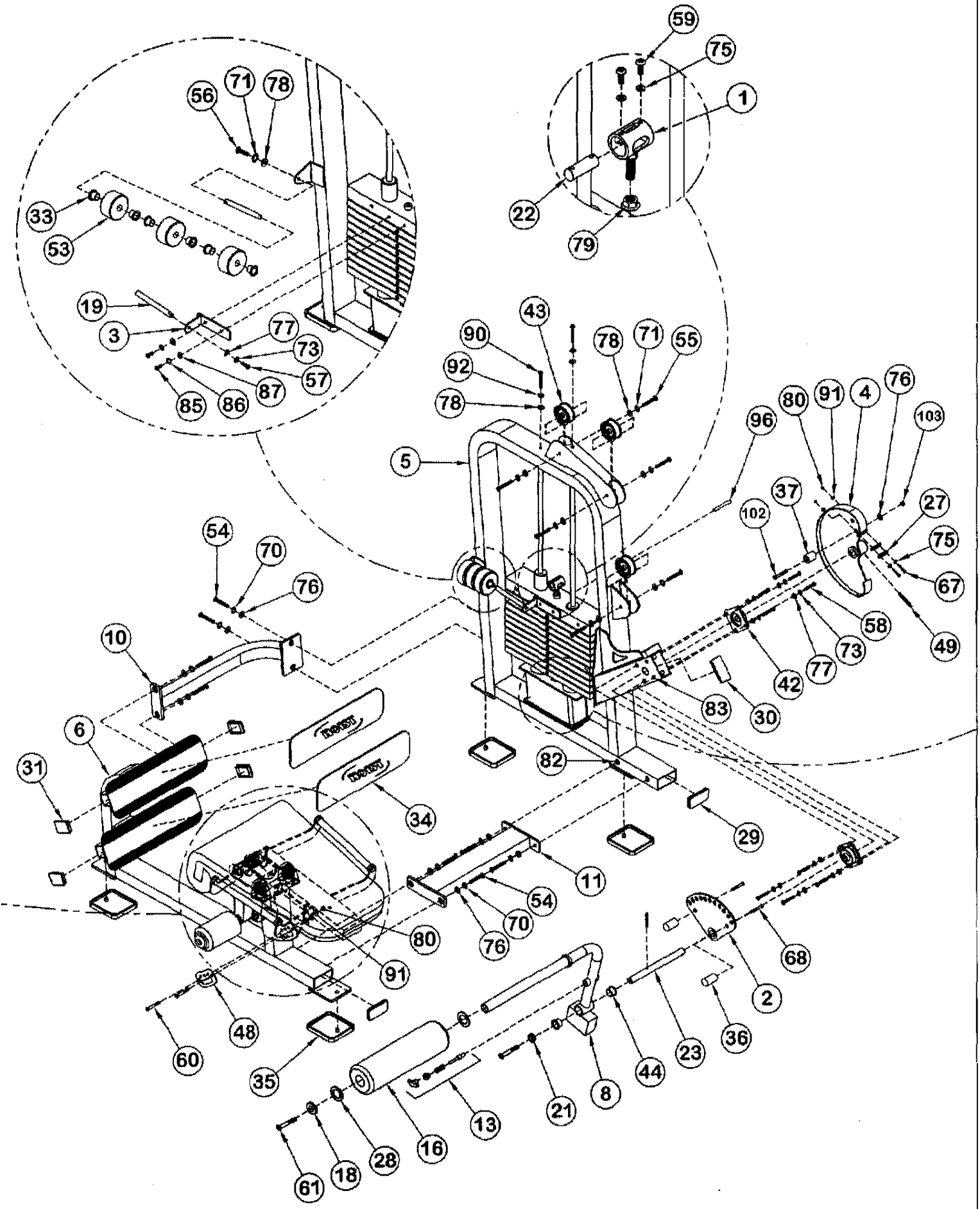
CD2600 LOW BACK/ABB ASSIST

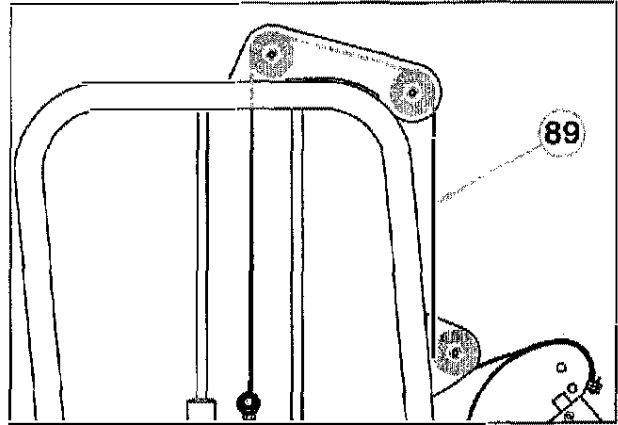
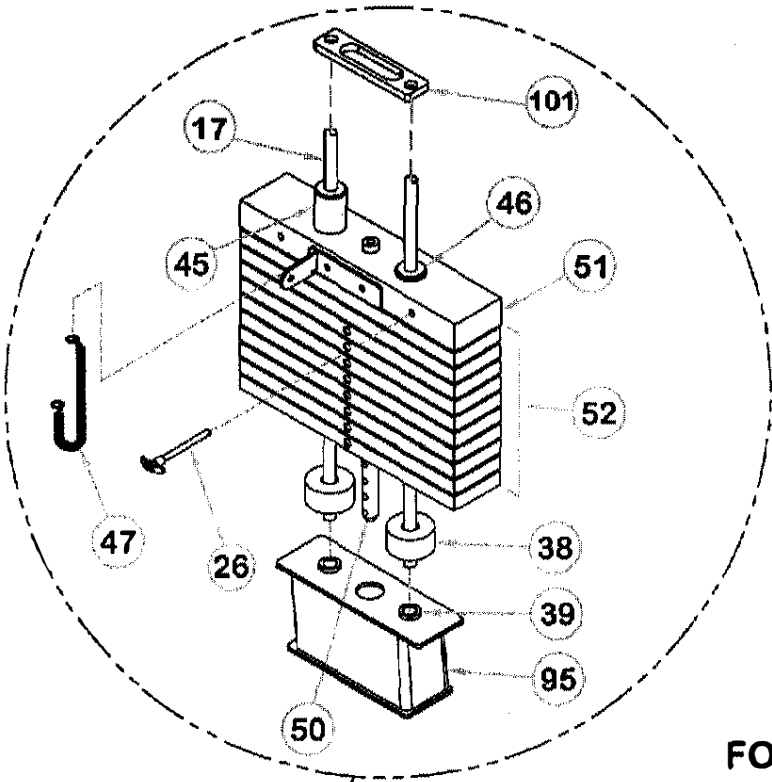
ITEM	QTY	PART NO.	DESCRIPTION
1	1	026-01X0145	BELT ANCHOR, ADJUSTABLE
2	1	026-01X0146	RANGE OF MOTION ASSEMBLY
3	1	026-01X0157	CENTER LH BRK (ADD ON)
4	1	026-01X0504	CAM ASSEMBLY (LARGE)
5	1	026-01X0733	WEIGHT CAGE ASSEMBLY
6	1	026-01X0734	SEATED FRAME ASSEMBLY
7	1	026-01X0735	SEAT ADJUSTMENT ASSEMBLY
8	1	026-01X0736	BACK ROW ASSEMBLY
9	1	026-01X0737	EXTENSION ASSEMBLY
10	1	026-01X0738	FRONT CROSS ASSEMBLY
11	1	026-01X0739	BACK CROSS ASSEMBLY
12	1	026-01X0188	1/2" SHORT TAPERED PULLPIN ASSY.
13	1	026-01X0186	1/2" LONG PULLPIN ASSEMBLY
14	1	022-01PD0021	SEAT PAD ASSEMBLY
15	2	26-STD-SUR507-1	FEET ROLLER PAD
16	1	26-STD-SUR517-1	BACK ROLLER PAD
17	2	026-01G0136	Ø3/4" x 46 3/4" GUIDE RODS
18	3	026-01M0238	ALUMINUM CAP
19	2	026-01M0295	ADD ON ROD
20	3	026-01M0240	ALUMINUM CAP
21	1	026-01M0240R	ALUMINUM CAP (RED)
22	1	026-01M0294	BELT RETAINER SHAFT
23	1	026-01M0437	Ø1" x 11 1/2" SHAFT
24	2	026-01M0438	Ø1" x 12 31/32" SHAFT
25	4	026-01M0324	ALUMINUM RING
26	1	026-01M0134	SELECTOR PIN
27	2	026-01P0467	SERRATED CLAMP
28	6	026-01PL144	PLASTIC WASHER
29	4	026-01PL187RH	2" x 4" END CAP (HH)
30	1	026-01PL187RV	2" x 4" END CAP (VH)
31	4	026-01PL192RH	2" x 3" END CAP (HH)
32	2	026-01PL206-11	RUBBER GRIP
33	6	026-01PL210	ADD ON WEIGHT BUSHING
34	2	026-01PL236	RUBBER FOOT REST PAD
35	4	026-01PL195	RUBBER FOOT PAD
36	2	026-01PL133	1 1/2" DELRIN STOP
37	1	026-01M0510	1/2" ALUMINUM STOPPER
38	2	026-01PL201	WEIGHT BUMPER
39	2	026-01PL134	GUIDE ROD BUSHING
40	1	026-1100063	SHIELD
41	2	014-0010007	PILLOW BLOCK BEARING
42	2	014-0009004	BEARING
43	3	018-0002001	3 1/4" PULLEY
44	4	010-0101005	Ø1" OILITE
45	1	014-0009005	BEARING (TALL)
46	1	014-0009006	BEARING (SHORT)
47	1	010-0008001	LANYARD

ITEM	QTY	PART NO.	DESCRIPTION
48	1	026-01A0201	STAINLESS STEEL PLATE GUARD
49	3	030-0303003	3/8" x 2" OPEN ROLE PIN
50	1	26-STD-SW111	WEIGHT STEM
51	1	26-STD-SWTOP10	STEEL TOP PLATE
52	10	26-STD-SW104	20 LBS. INTERMEDIATE WEIGHT0
53	3	26-STD-SWADD7	ADD ON WEIGHT
54	12	011-0101047	1/2-13" x 1 1/2" BUTTON HEAD SCREW (WZ)
55	10	011-0101041	3/8-16" x 3/4" BUTTON HEAD SCREW (WZ)
56	1	011-0101026	3/8-16" x 1" BUTTON HEAD SCREW (WZ)
57	1	011-0201003	3/8-16" x 1" BUTTON HEAD SCREW (BZ)
58	8	011-0201004	3/8-16" x 1 1/2" BUTTON HEAD SCREW (BZ)
59	2	011-0301029	1/4-20" x 1" BUTTON HEAD SCREW (BZ)
60	2	011-0102003	1/4-20" x 1/2" FLAT HEAD CAP SCREW (WZ)
61	5	011-0002033	3/8-16" x 1 1/4" FLAT HEAD CAP SCREW (WZ)
62	2	011-0101033	5/16-18" x 3" BUTTON HEAD SCREW (WZ)
63	6	011-0002043	3/8-16" x 1 1/2" FLAT HEAD CAP SCREW (WZ)
65	1	011-0301023	3/8-16" x 3/4" SOCKET HEAD SCREW (WZ)
66	1	011-0101063	3/8-16" x 1" SOCKET HEAD SCREW (WZ)
67	2	011-0501001	1/4-20" x 1 1/4" SOCKET HEAD SCREW (BZ)
68	2	011-0102002	1/2-13" x 1" FLAT HEAD CAP SCREW (WZ)
69	8	011-031100	#10-32 SET SCREW
70	12	013-0302014	1/2" INTERNAL LOCK WASHER (WZ)
71	15	013-0102022	3/8" INTERNAL LOCK WASHER (WZ)
72	1	012-0105002	3/8" THIN JAM NUT (WZ)
73	9	013-0206003	3/8" BLACK INTERNAL LOCK WASHER (BZ)
74	2	013-0102021	5/16" INTERNAL LOCK WASHER (WZ)
75	2	013-0206001	1/4" BLACK INTERNAL LOCK WASHER (BZ)
76	13	013-0302011	1/2" FLAT WASHER (WZ)
77	9	013-0202004	3/8" BLACK FLAT WASHER (BZ)
78	21	013-0002004	3/8" FLAT WASHER (WZ)
79	1	012-0202001	SERRATED HEX NUT
80	4	012-0104009	1/4-20" LOCK NUT (WZ)
81	1	026-01M0434	Ø1" x 5 3/32" SHAFT
82	12	014-0014001	1/2" INSERT
83	8	014-0014002	3/8" INSERT
84	2	013-0002001	5/16" FLAT WASHER (WZ)
85	2	011-0101067	5/16-18" x 1" BUTTON HEAD SCREW (BZ)
86	2	013-0206002	5/16" INTERNAL LOCK WASHER (BZ)
87	2	013-0202003	5/16" FLAT WASHER (BZ)
89	1	015-0002002	80" LG. KEVLAR BELT
90	4	011-0101016	3/8-16" x 2 3/4" BUTTON HEAD SCREW (WZ)
91	4	013-0002003	1/4" FLAT WASHER (WZ)
92	2	013-0102020	3/8" SPLIT WASHER (WZ)
93	4	012-0004004	3/8" LOCK NUT (WZ)
94	2	026-01X0747	FOOT REST ASSEMBLY
95	1	026-01X0726	WEIGHT SPACER ASSEMBLY
96	1	030-0303006	TOP WEIGHT ROLE PIN
97	1	022-01PD0021-5	SEATED UPHOLSTERY BACKING
100	1	022-01SC001	SEAT SLIP COVER

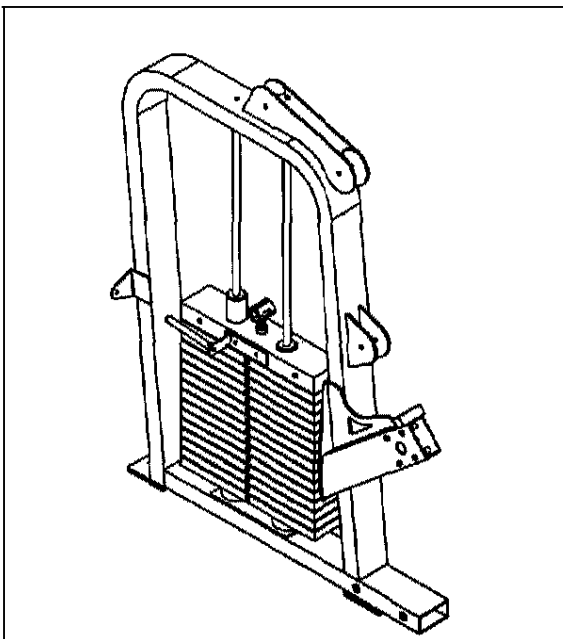
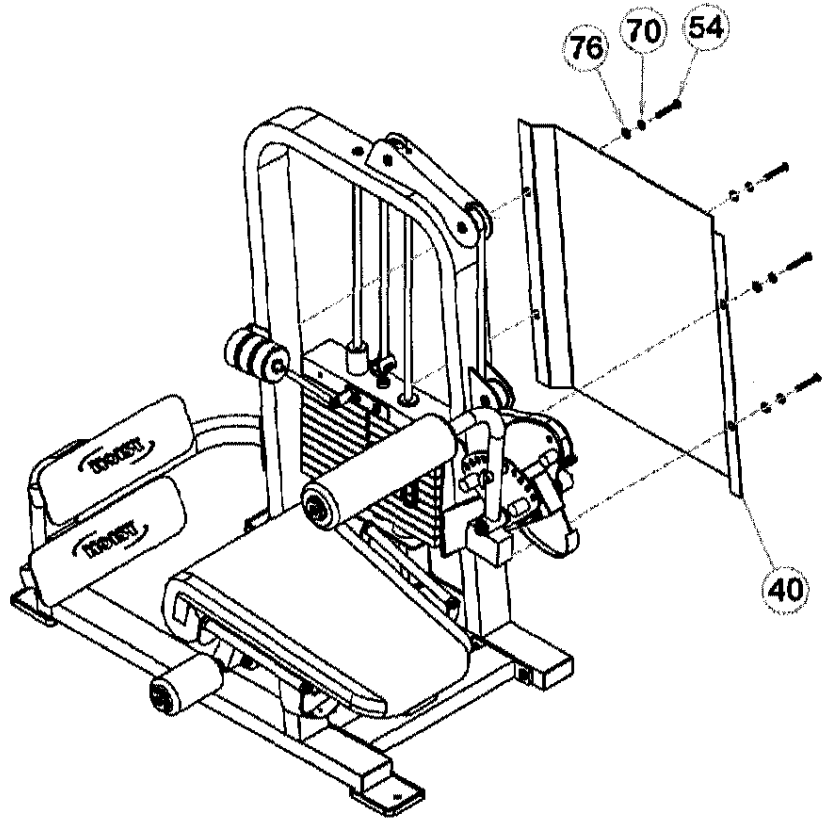
101	1	026-01PL268	GUIDE ROD MOUNT
102	1	011-0002007	1/2-13 x 2 FLAT HEAD CAP SCREW (BZ0)
103	1	012-0105005	1/2" JAMB, NYLOCK NUT THIN (WZ)





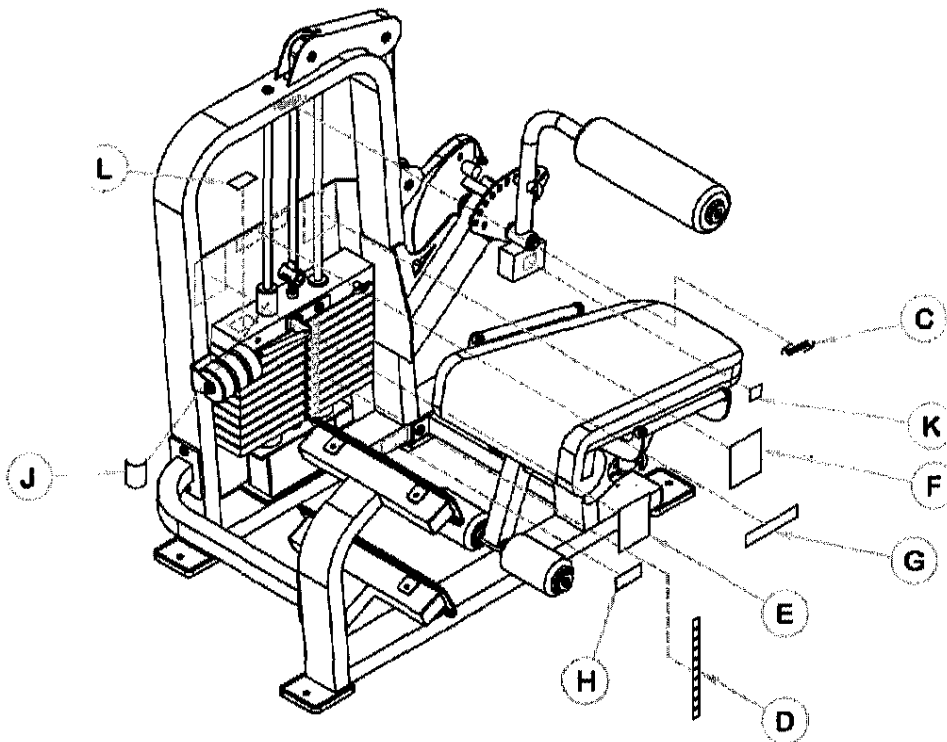
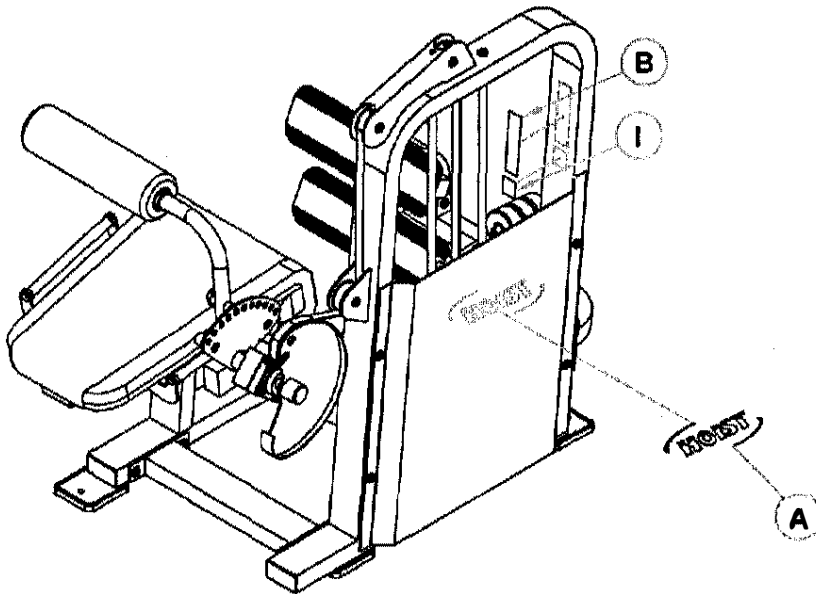


FOR BELT ADJUSTMENT SEE BELT/CABLE INSTALLATION SECTION.



OPTIONAL : HEAVY STACK

DECAL PLACEMENTS



DESCRIPTION	PART NO.	DESCRIPTION	PART NO.
A. SHIELD DECAL.....	021-0004026	G. WARNING DECAL.....	021-0003006
B. ROUTINE MAINTENANCE DECAL.....	021-0003008	H. SERIAL # DECAL.....	021-0012004
C. FRAME HOIST LOGO.....	021-0004029	I. PATENT PENDING DECAL.....	021-0003090
D. WEIGHT PLATE DECAL.....	021-0003011	J. GUIDE BEARING DECAL.....	021-0003107
E. EXERCISE INSTRUCTION PLACARD.....	021-0013083	K. CAUTION MOVING PART DECAL.....	021-0003093
F. EXERCISE INSTRUCTION PLACARD.....	021-0013084	L. PINCH POINT DECAL.....	021-0003113